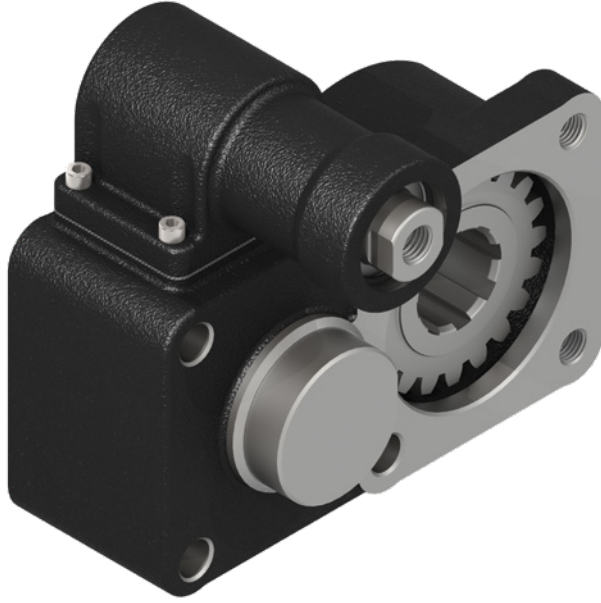
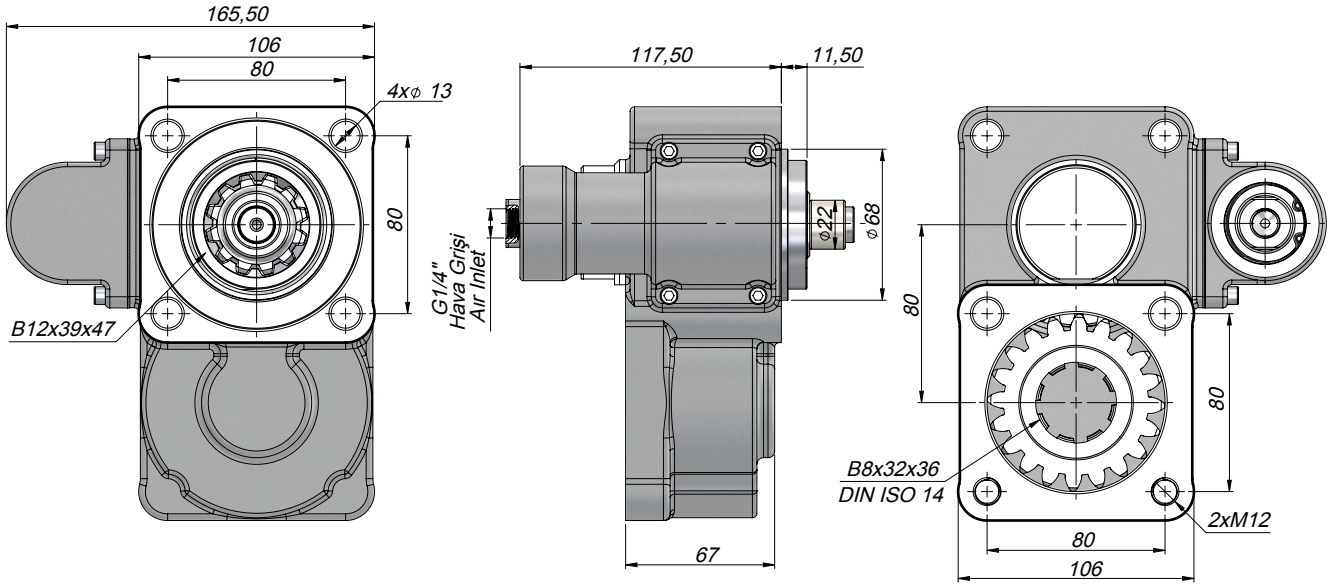


TEKNİK VERİLER | TECHNICAL DATA



Şanzıman No / Gearbox No
 ZF16S251, ZF16S221, ZF16S151, ZF16S150, ZF16S130,
 ZF S5/AK/65, ZF S5/AK/120, ZF S5/AK/111, ZF S5/AK/110,
 ZF S5/AK/92, GP ZF S5/AK/6S-90, GP ZF S5/AK/6S-80, GP
 ZF S5/AK/6S-70, GP ZF S5/AK/6S-66, GP ZF S5/AK/6S-65,
 GP ZF S5/AK/6S-55, GP ZF S5/AK/6S-50, GP ZF S5/
 AK/6S-42, GP ZF S5/AK/6S-36, GP ZF S5/AK/6S-35



POWER TAKE
OFFS

| Kod Code | Havalı Çalışma Basıncı Pneumatical Working Pressure | Kontrol Sistemi Control System | Çevrim Oranı Ratio | Çıkış Tork Outlet Torque | | Güç Power | | Çıkış Hızı Output Speed | Dönüş Yönü Direction Of Rotation |
|----------|--|-----------------------------------|-----------------------|-----------------------------|------|--------------|--------------|----------------------------|-------------------------------------|
| | (Bar) | | | (Kg _m) | (Nm) | (Kw) | 1000 dev/dak | (dev/dak) | |
| PT2ZFS12 | 7-12 | Havalı Pneumatic | 1,19 | 29 | 284 | 28,2 Hp | 20,7 Kw | 700 | Sol Left |