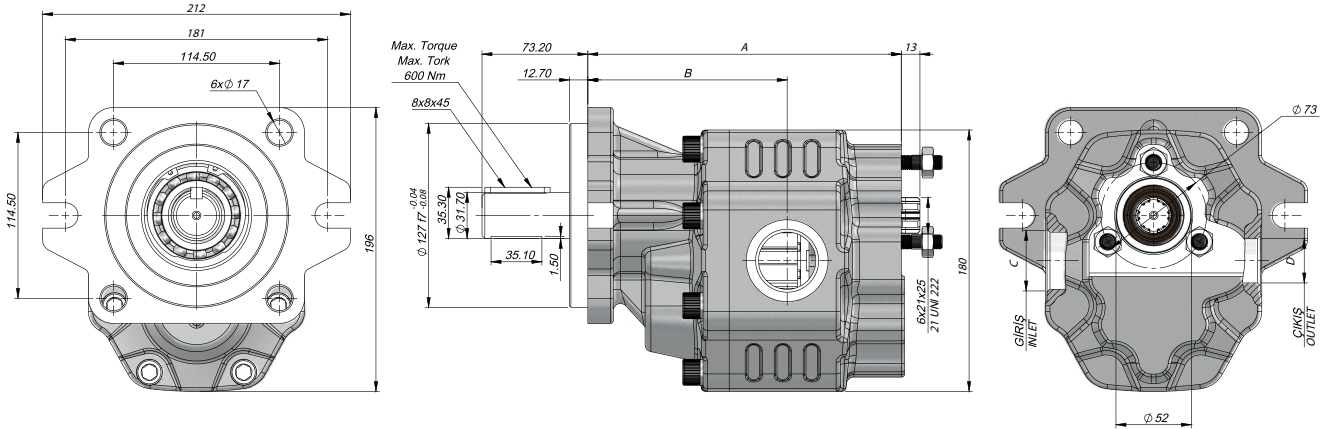


**2+4 DELİKLİ SAE C KAMALI TANDEM DİŞLİ POMPA | 2+4 HOLES SAE C KEYED TANDEM GEAR PUMP**

Giriş Basıncı   Inlet Pressure		0.3÷ 2 bar	
Çalışma Viskozite Seviyesi   Operating Viscosity Range		-12:100 cSt	
Sıvı Sıcaklığı   Fluid Temperature		-40 °C+145 °C	
Çalışma Basıncı   Working Pressure	Kirlilik   Contamination	Filtre   Filter	
	NAS 1638	ISO 4406	βx=75
≥200 bar	11	20/17	25 μm
≤200 bar	12	21/18	40 μm

GANI SERIES  
GEAR PUMP



Kod Code			İletim Hacmi Displacement (cm <sup>3</sup> /rev)	Maks.Sürekli Basıncı Max.Continuous Pressure (100%)(BAR)	Min. Hız Min.Speed (RPM)	Maks.Sürekli Hız Max.Continuous Speed (RPM)	A (mm)	B (mm)	Giriş Inlet C	Çıkış Outlet D
Sol / Left	Sağ / Right	BD								
GT40063CK1011	GT40063CK1021	GT40063CK1031	63	290	300	1800	198	127,5	G1"	G3/4"
GT40073CK1011	GT40073CK1021	GT40073CK1031	73	280			202	127,5		
GT40087CK1011	GT40087CK1021	GT40087CK1031	87	260			207	133	G1 1/4"	
GT40109CK1011	GT40109CK1021	GT40109CK1031	109	250			215	137,5		
GT40151CK1011	GT40151CK1021	GT40151CK1031	133	220			224	138,5	G1 1/2"	
GT40151CK1015	GT40151CK1025	GT40151CK1035	151	180			230	141		

\*The values in the table refer to unidirectional pumps. Reversible pump max pressures are 10% lower than those shown in table.  
For different working conditions please consult our sales department.