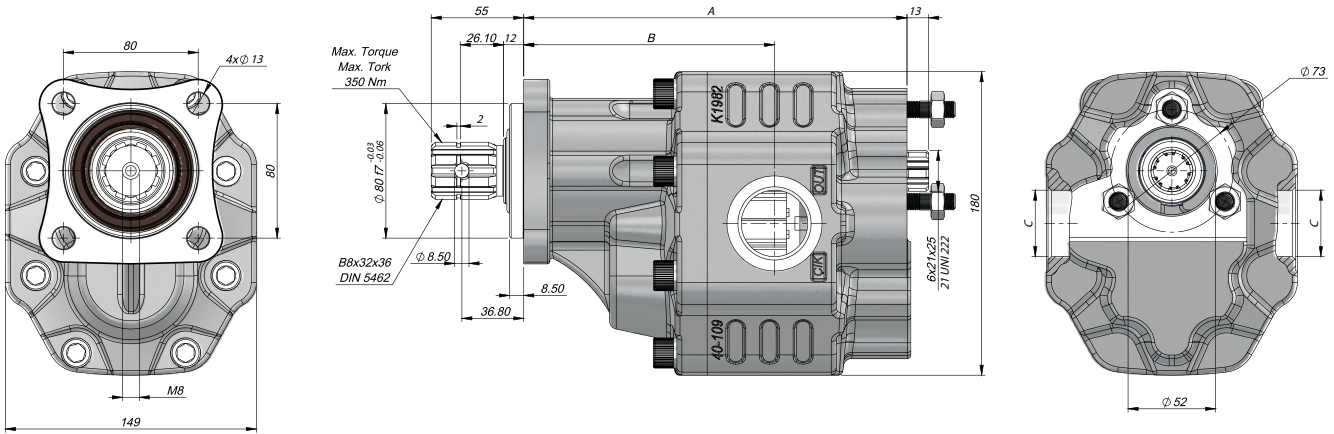


TEKNİK VERİLER | TECHNICAL DATA

4 DELİKLİ ISO TANDEM DİŞLİ POMPA | 4 HOLES ISO TANDEM GEAR PUMP

Giriş Basıncı Inlet Pressure		0.3÷ 2 bar	
Çalışma Viskozite Seviyesi Operating Viscosity Range		-12:100 cSt	
Sıvı Sıcaklığı Fluid Temperature		-40 °C+145 °C	
Çalışma Basıncı Working Pressure	Kirlilik Contamination		Filtre Filter
	NAS 1638	ISO 4406	$\beta_x=75$
≥200 bar	11	20/17	25 μm
≤200 bar	12	21/18	40 μm



Kod Code			İletim Hacmi Displacement (cm ³ /rev)	Maks.Sürekli Basıncı Max.Continuous Pressure (100%)(BAR)	Min. Hız Min.Speed (RPM)	Maks.Sürekli Hız Max.Continuous Speed (RPM)	A (mm)	B (mm)	Giriş Inlet C	Çıkış Outlet D
Sol / Left	Sağ / Right	BD								
GT40063SF111	GT40063SF121	GT40063SF131	63	290	300	1800	211	139	G1"	G3/4"
GT40073SF111	GT40073SF121	GT40073SF131	73	280			215	139	G1 1/4"	
GT40087SF111	GT40087SF121	GT40087SF131	87	260			220	143		G1"
GT40109SF111	GT40109SF121	GT40109SF131	109	250			228	149	G1 1/2"	
GT40133SF111	GT40133SF121	GT40133SF131	133	220			237	150		G1"
GT40151SF111	GT40151SF121	GT40151SF131	151	180			243	152,5	G1"	

*The values in the table refer to unidirectional pumps. Reversible pump max pressures are 10% lower than those shown in table.
For different working conditions please consult our sales department.