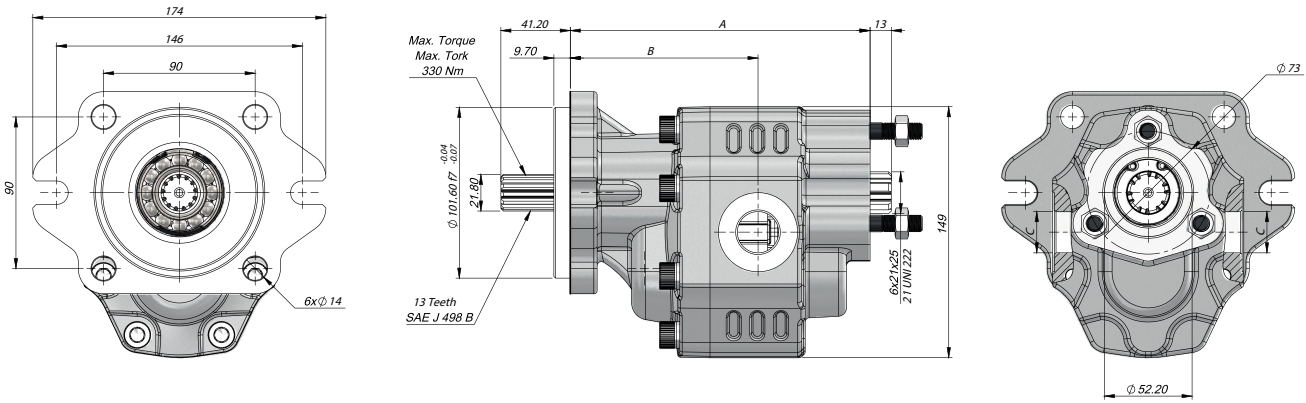


### TEKNİK VERİLER | TECHNICAL DATA

2+4 DELİKLİ SAE B 13 DİŞ TANDEM DİŞLİ POMPA  
2+4 HOLES SAE B 13 TEETH TANDEM GEAR PUMP

Giriş Basıncı   Inlet Pressure		0.3÷ 2 bar	
Çalışma Viskozite Seviyesi   Operating Viscosity Range		-12:100 cSt	
Sıvı Sıcaklığı   Fluid Temperature		-40 °C+145 °C	
Çalışma Basıncı   Working Pressure	Kirlilik   Contamination		Filtre   Filter
	NAS 1638	ISO 4406	$\beta_x=75$
≥200 bar	11	20/17	25 $\mu\text{m}$
≤200 bar	12	21/18	40 $\mu\text{m}$



Kod Code			İletim Hacmi Displacement	Maks.Sürekli Basıncı Max.Continuous Pressure	Min. Hız Min.Speed	Maks.Sürekli Hız Max.Continuous Speed	A	B	Giriş Inlet	Çıkış Outlet
Sol / Left	Sağ / Right	BD	(cm <sup>3</sup> /rev)	(100%)(BAR)	(RPM)	(RPM)	(mm)	(mm)	C	D
GT30017BF511	GT30017BF521	GT30017BF531	17	300	300	2600	182,5	123,5	G1/2"	G1/2"
GT30027BF511	GT30027BF521	GT30027BF531	27	290			188,5	126,5		
GT30034BF511	GT30034BF521	GT30034BF531	34	285		2300	193,5	128,5	G3/4"	G3/4"
GT30036BF511	GT30036BF521	GT30036BF531	36				195	128,5		
GT30038BF511	GT30038BF521	GT30038BF531	38				193,5	128,5		
GT30043BF511	GT30043BF521	GT30043BF531	43	280		2100	199,5	133	G1"	G1"
GT30051BF511	GT30051BF521	GT30051BF531	51	230			204,5	134,5		
GT30061BF511	GT30061BF521	GT30061BF531	61	225		2000	212,5	138,5	G1"	G1"
GT30073BF511	GT30073BF521	GT30073BF531	73	215			217,5	146,5		
GT30082BF511	GT30082BF521	GT30082BF531	82	200		1700	223,5	146	G1 1/4"	G1 1/4"
GT30100BF511	GT30100BF521	GT30100BF531	100	190			236,5	160		
GT30125BF511	GT30125BF521	GT30125BF531	125	170		1600	252,5	164	G1 1/4"	G1 1/4"

\*The values in the table refer to unidirectional pumps. Reversible pump max pressures are 10% lower than those shown in table. For different working conditions please consult our sales department.