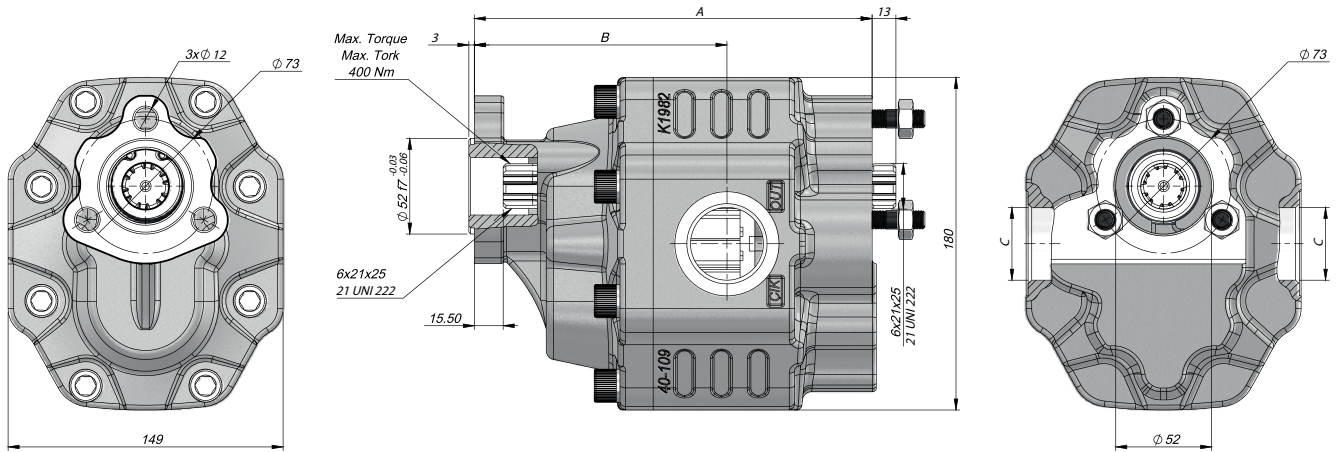


**3 DELİKLİ UNI TANDEM DİŞLİ POMPA | 3 HOLES UNI TANDEM GEAR PUMP**

Giriş Basıncı   Inlet Pressure		0.3÷ 2 bar	
Çalışma Viskozite Seviyesi   Operating Viscosity Range		-12:100 cSt	
Sıvı Sıcaklığı   Fluid Temperature		-40 °C+145 °C	
Çalışma Basıncı   Working Pressure	Kirlilik   Contamination		Filtre   Filter
	NAS 1638	ISO 4406	$\beta_x=75$
≥200 bar	11	20/17	25 $\mu$ m
≤200 bar	12	21/18	40 $\mu$ m

GANI SERIES  
GEAR PUMP



Kod Code			İletim Hacmi Displacement (cm <sup>3</sup> /rev)	Maks.Sürekli Basınç Max.Continuous Pressure (100%)(BAR)	Min. Hız Min.Speed (RPM)	Maks.Sürekli Hız Max.Continuous Speed (RPM)	A (mm)	B (mm)	Giriş Inlet C	Çıkış Outlet D
Sol / Left	Sağ / Right	BD								
GT40063UF411	GT40063UF421	GT40063UF431	63	290	300	1800	199	127	G1"	G3/4"
GT40073UF411	GT40073UF421	GT40073UF431	73	280			203	127	G1 1/4"	
GT40087UF411	GT40087UF421	GT40087UF431	87	260			208	131		G1 1/2"
GT40109UF411	GT40109UF421	GT40109UF431	109	250			216	137		
GT40133UF411	GT40133UF421	GT40133UF431	133	220			225	138		
GT40151UF411	GT40151UF421	GT40151UF431	151	180			231	140,5		

\*The values in the table refer to unidirectional pumps. Reversible pump max pressures are 10% lower than those shown in table. For different working conditions please consult our sales department.