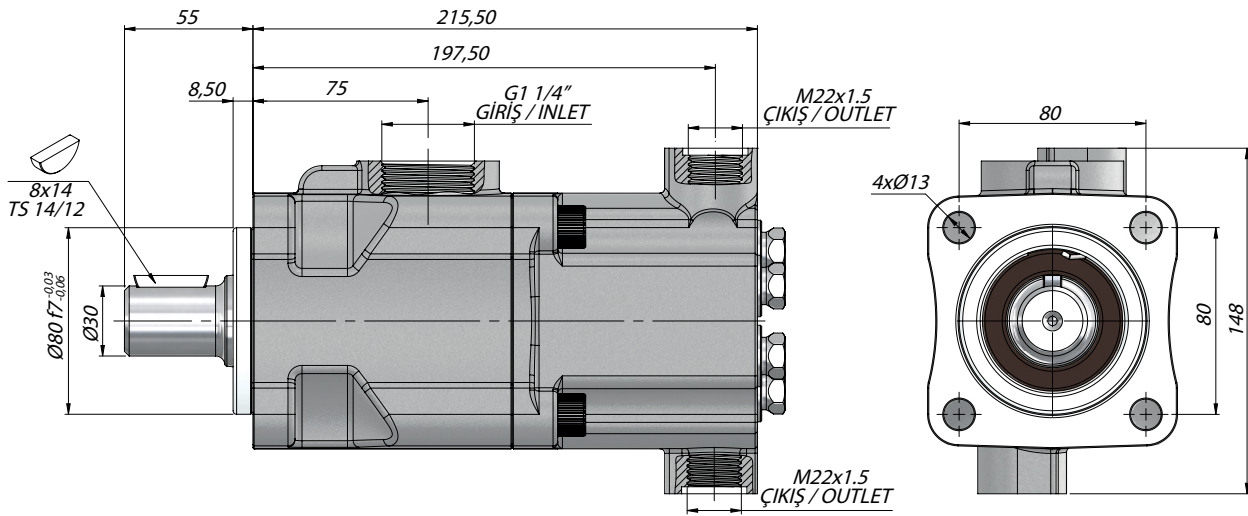


**TEKNİK VERİLER | TECHNICAL DATA**

4 DELİKLİ KAMALI ISO ÇİFT ÇIKIŞLI PİSTONLU POMPA | 4 HOLES ISO TWIN FLOW PISTON PUMP WITH KEYPED SHAFT

PISTON  
PUMP

Kod Code	İletim Hacmi Displacement	Maks.Sürekli Basınç Max.Continuous Pressure	Min. Hız Min.Speed	Maks.Sürekli Hız Max.Continuous Speed
	(cm <sup>3</sup> /rev)	(100%)(BAR)	(RPM)	(RPM)
P062020SK1531	20+20	250	300	1800
P062614SK1531	26+14			
P063418SK1531	34+18			
P062626SK1531	26+26			