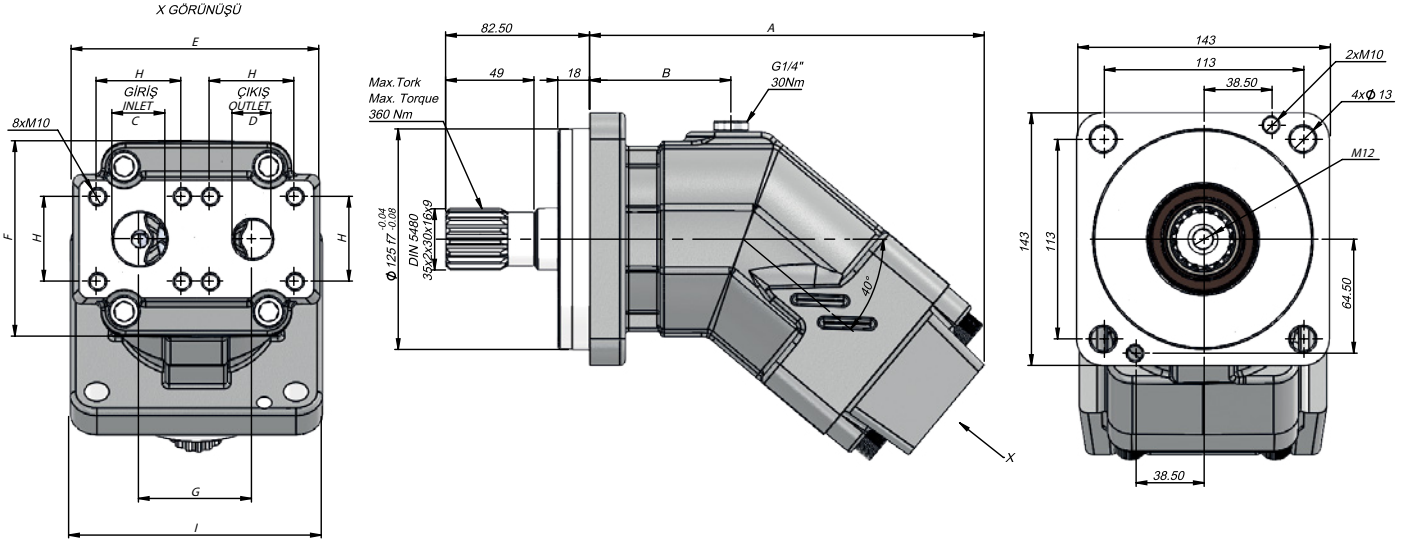


**TEKNİK VERİLER | TECHNICAL DATA**

4 DELİKLİ SAE C EKSENL PİSTONLU POMPA | 4 HOLES SAE C BENT AXIS PUMP



PISTON  
PUMP

Kod Code	İletim Hacmi Displacement	Maks.Sürekli Basınç Max.Continuous Pressure	Min. Hız Min.Speed	Maks. Hız Max. Speed		A	B	C	D	E	F	G	H	I
				(cm <sup>3</sup> /rev)	(100%)(BAR)									
AP056C2F911 AP056C2F921	56	350	400	1800	2500	233,50	80	30	22	140	108	38	48	143
AP063C2F911 AP063C2F921	63													